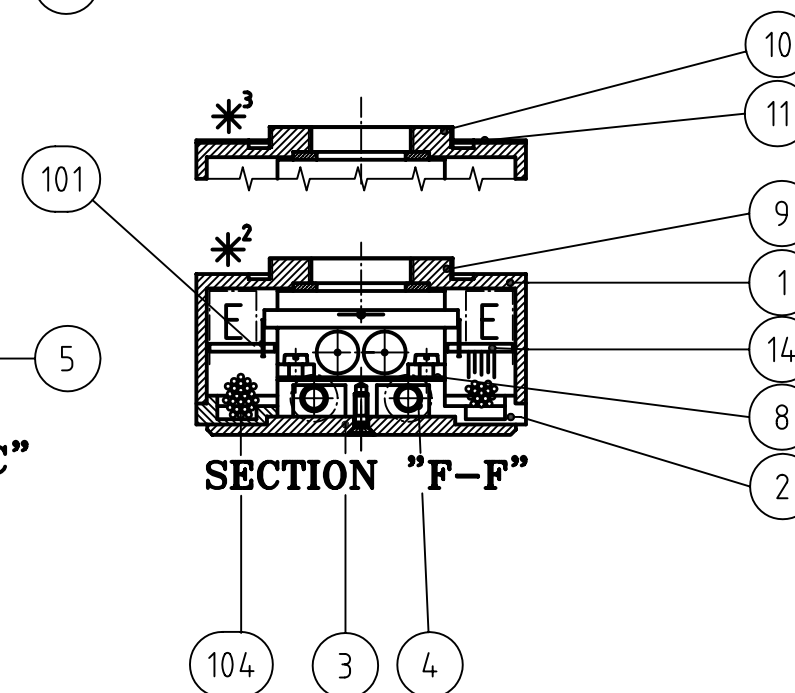
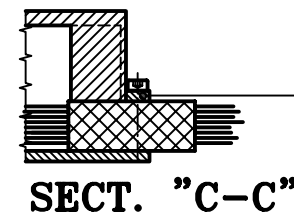
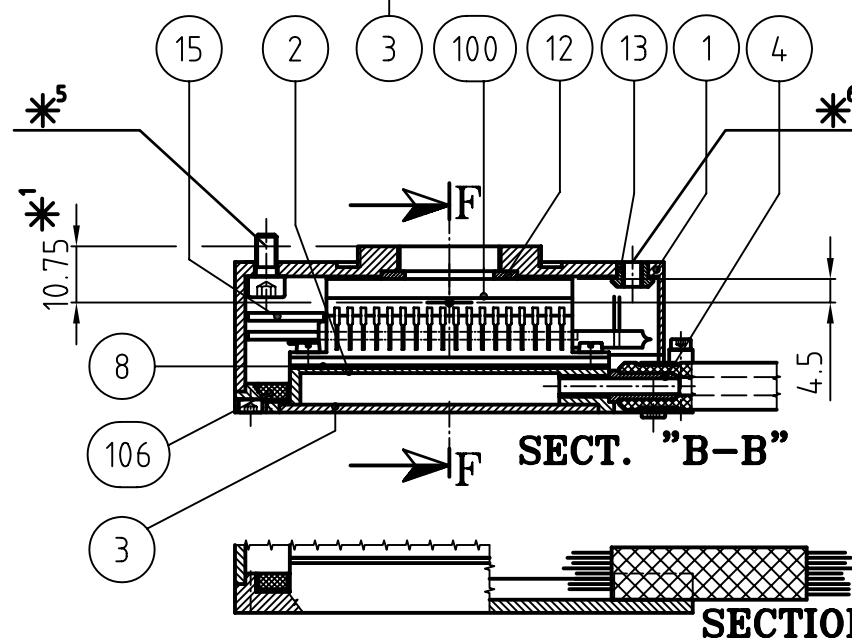
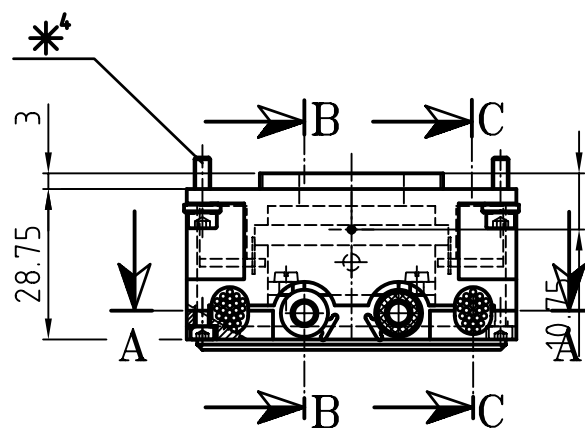
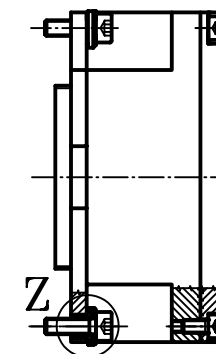
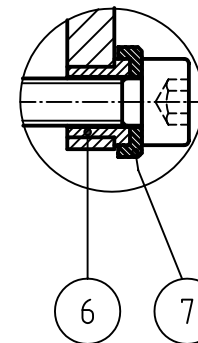
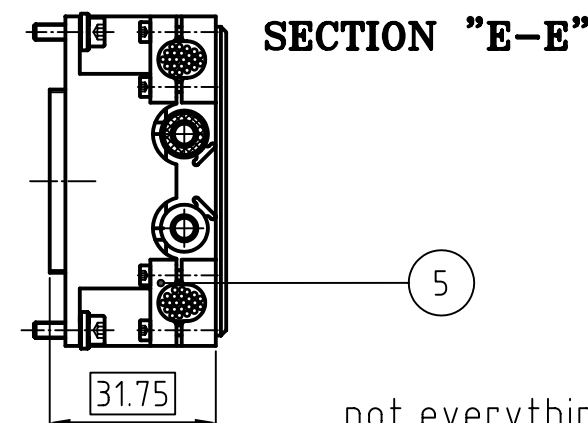
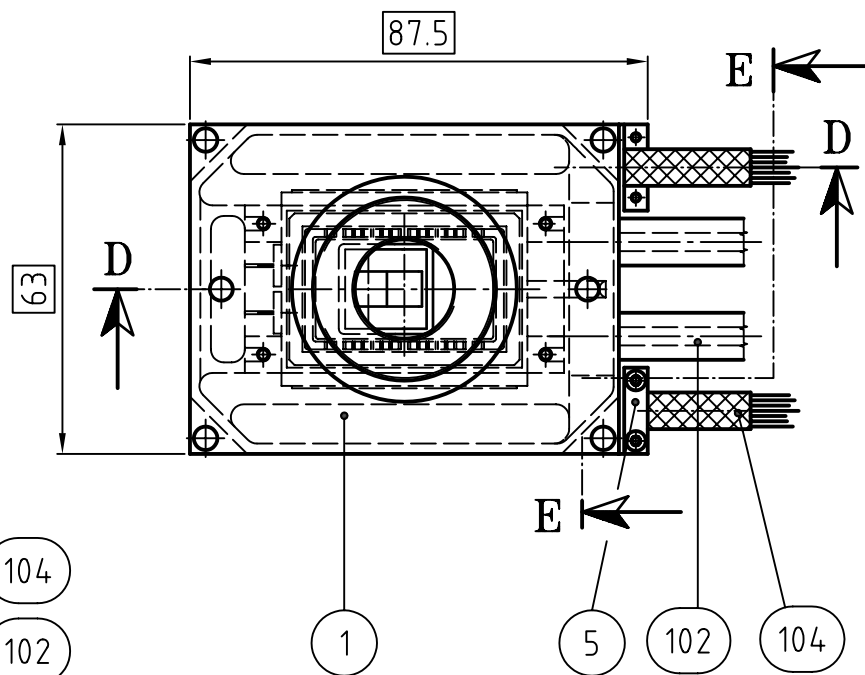
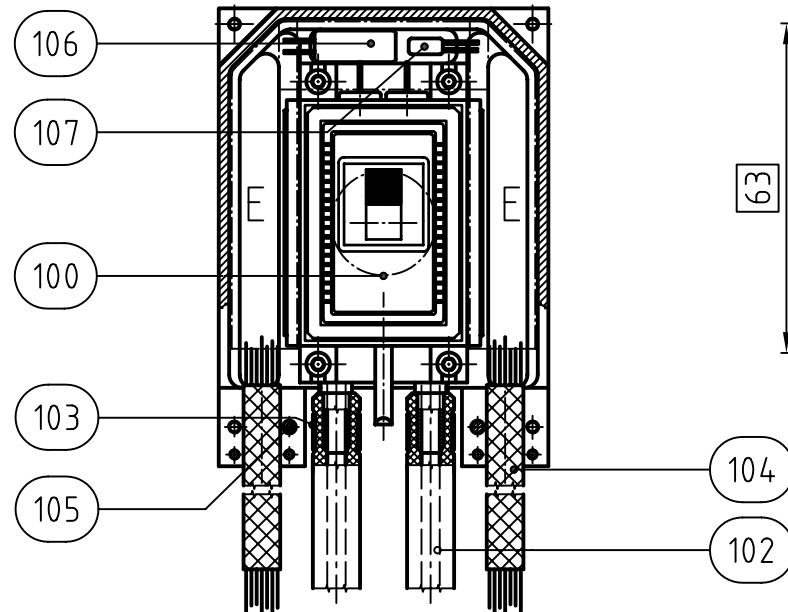


DETAIL "Z"



SECTION "A-A"



not everything to scale

\*<sup>1</sup> PHYSICAL DIMENSION = 10.75 MM  
OPTICAL DIMENSION = 10MM (WINDOW REFRACTION !)

\*<sup>2</sup> VERSION A  
WITH THREAD

\*<sup>3</sup> VERSION B  
WITH INSULATION

\*<sup>4</sup> FIXATION  
VERSION I

\*<sup>5</sup> FIXATION  
VERSION II

\*<sup>6</sup> FIXATION  
VERSION III

NAME		DATE	MATERIAL	DRAWING N°		ASSEMBLY	
DESIGNED	W.Eckert	07.12.02		LSO-DWG-ESO-INS-940.00.00			
DRAWN							
CHECKED				PROJECT		NGTCCD	
MODIFICATIONS		SCALE	NAMING				
NAME	DATE	1:1	NEW TCCD- 57-10				
Eckert	17.02.03		SUBPROJECT TCCD HEAD				
Eckert	03.03.03		NUMBER OF PIECES		GENERAL TOLERANCE		
Eckert	31.03.04		1		DIN 7168		
Eckert	18.07.04		AutoCAD Drwg.:		9400000		
			Diskette:		585		A2

ES  
O  
CHILE  
EUROPEAN  
SOUTHERN  
OBSERVATORY