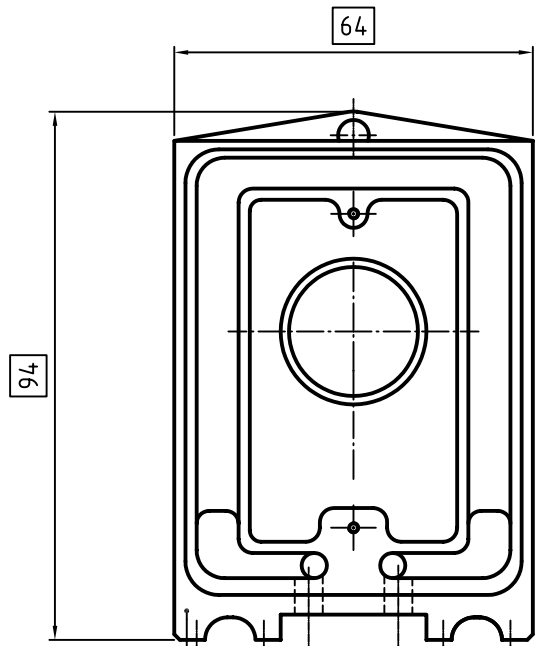
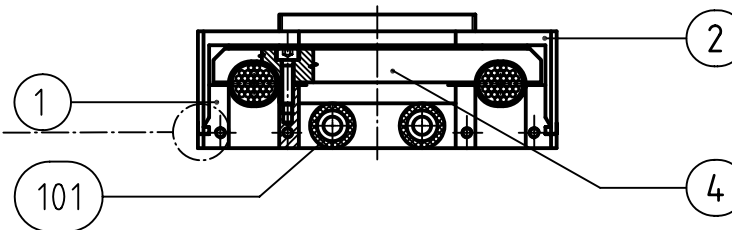
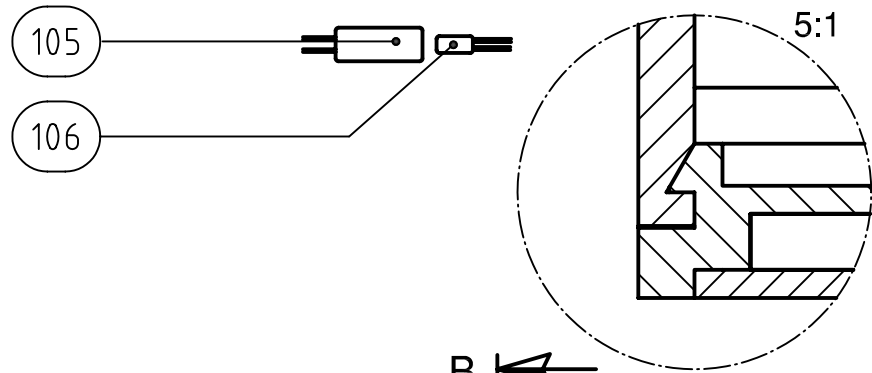
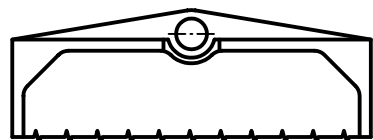
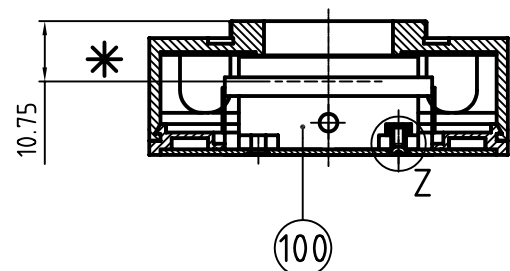
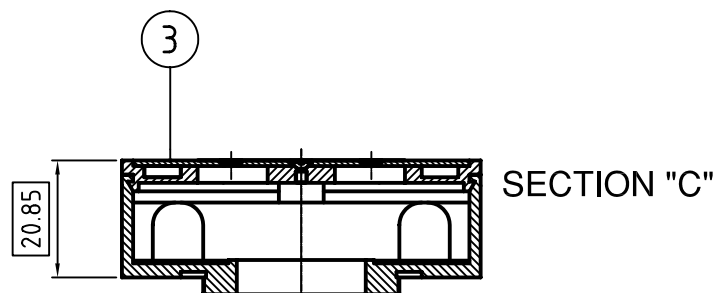
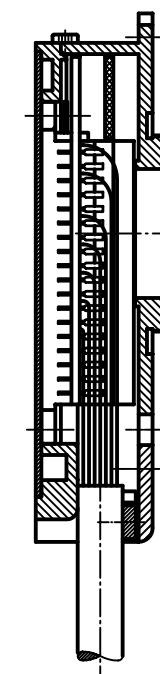
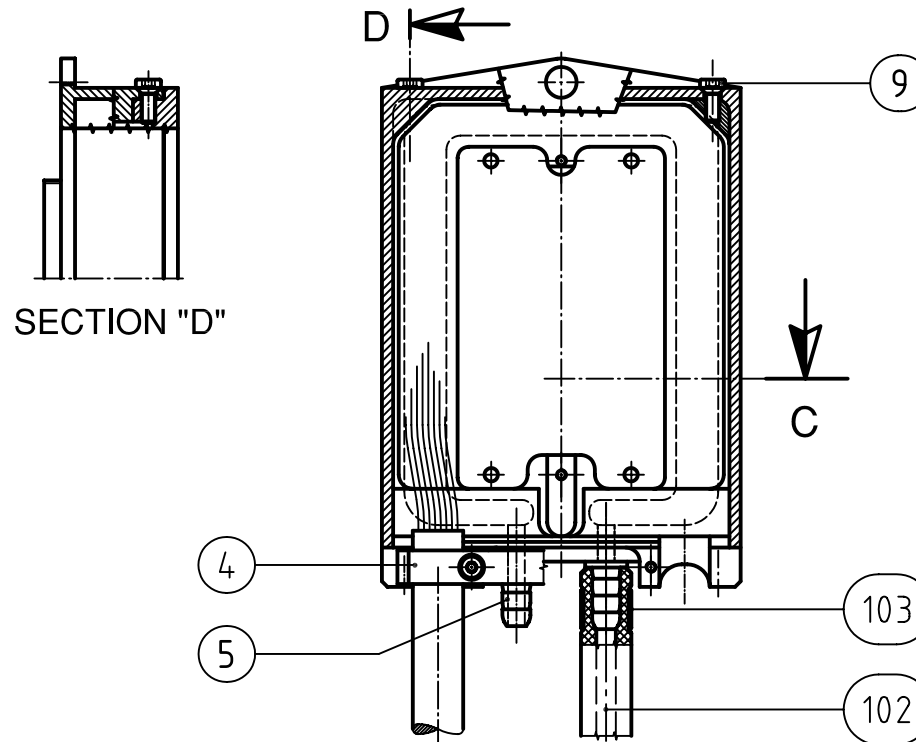
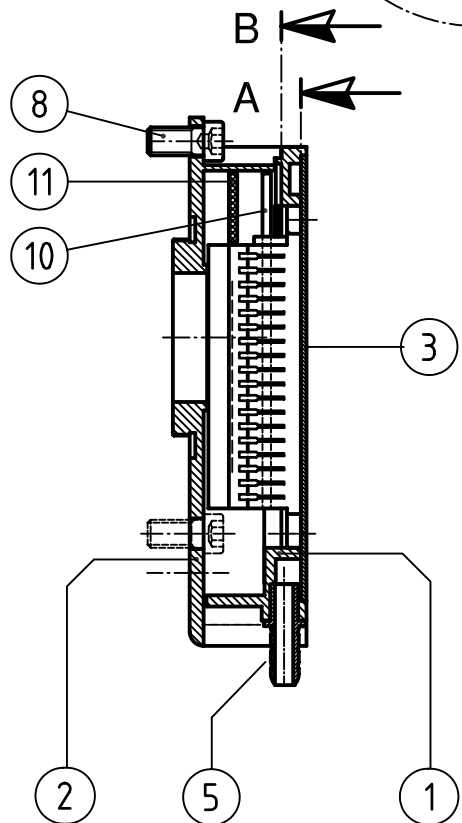


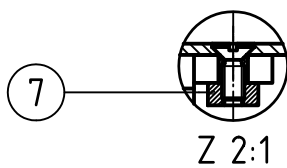
SECTION "B"
(only part No 2)



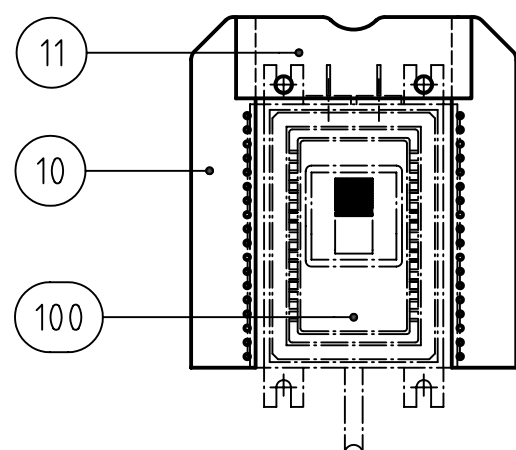
SECTION "A"
(without part No 3)



100



Z 2:1



not everything to scale

* PHYSICAL DIMENSION = 10.75 MM
OPTICAL DIMENSION = 10 MM (WINDOW REFRACTION !)

LA SILLA OBSERVATORY	DESIGNED	W.Eckert	DATE	14.12.05	MATERIAL	-----	MEC NUMBER	LSO-DWG-ESO-INS-941.00.00		
	DRAWN						PROJECT	NGTCCD		
	CHECKED				DIM.					
	MODIFICATIONS		SCALE	1:1		NAMING		PAO-NGTCCD 47-20		
	NAME	DATE			SUBPROJECT		FLAT TCCD HEAD			
	Eckert	29.03.06			NUMBER OF PIECES	1	GENERAL TOLERANCE		DIN 7168 fine	
VERSION		COMMENTS		CMM CODE		Diskette: 587		A3		
						AutoCad 9410000				

