

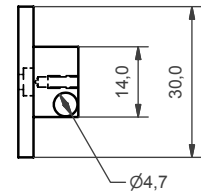
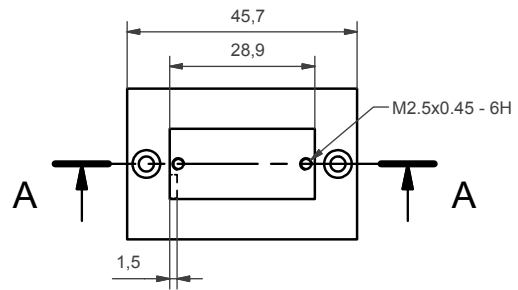
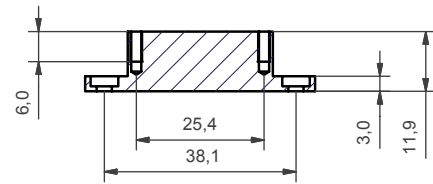
Designed by ebendek	Checked by	Approved by - date	Date 06/09/2004
PCB Mechanical interfaces Drawing #: CCD_001		Camera	Edition Sheet 1 / 6

6 5 4 3 2 1

D

D

A-A (1:1)



C

C

B

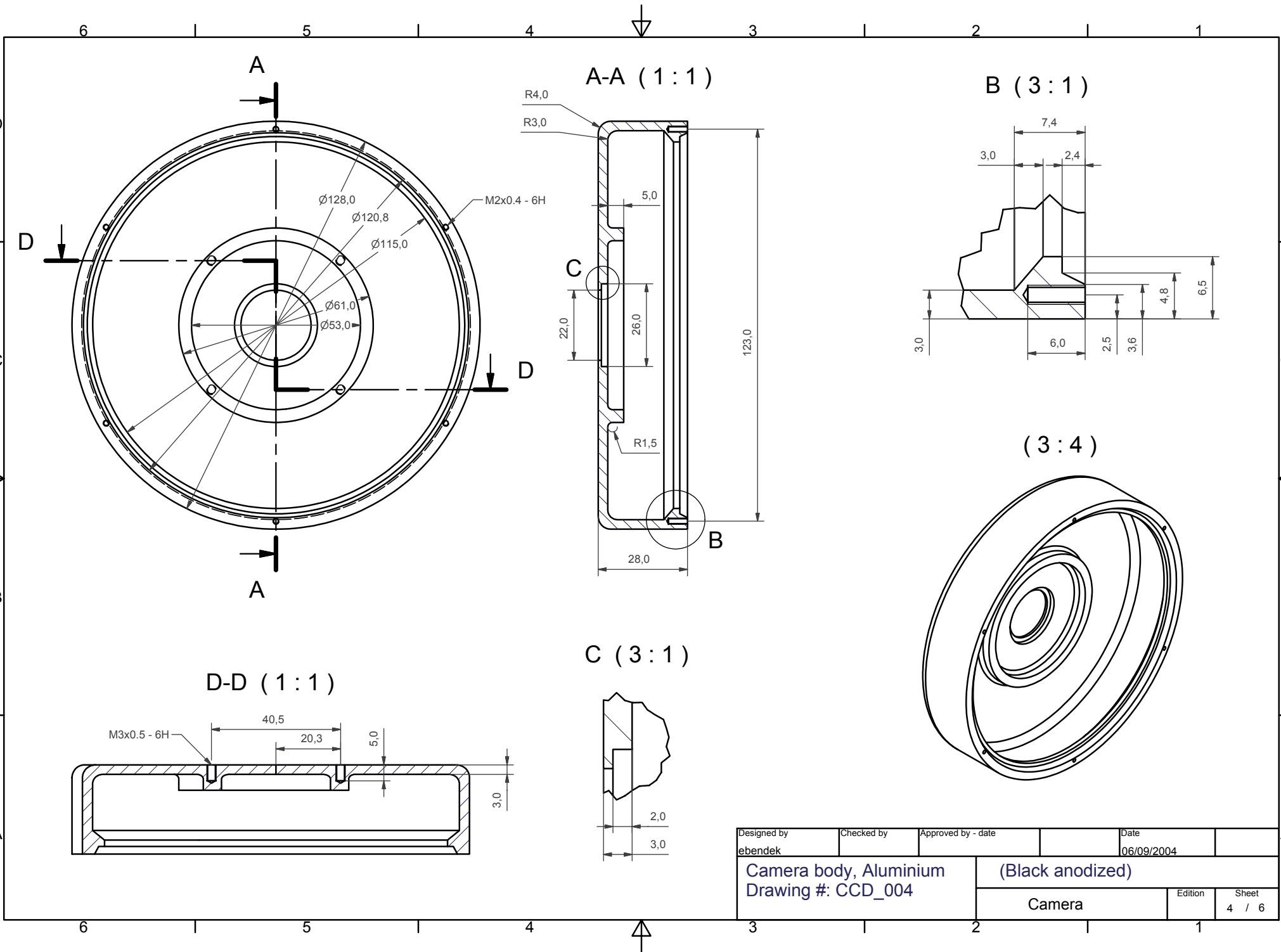
B

A

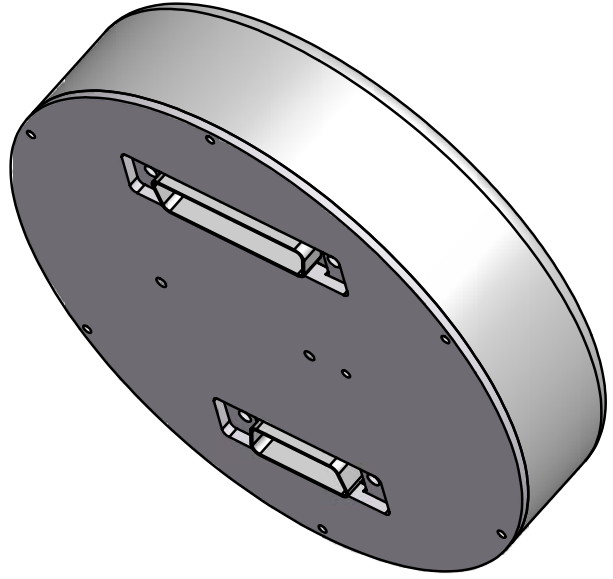
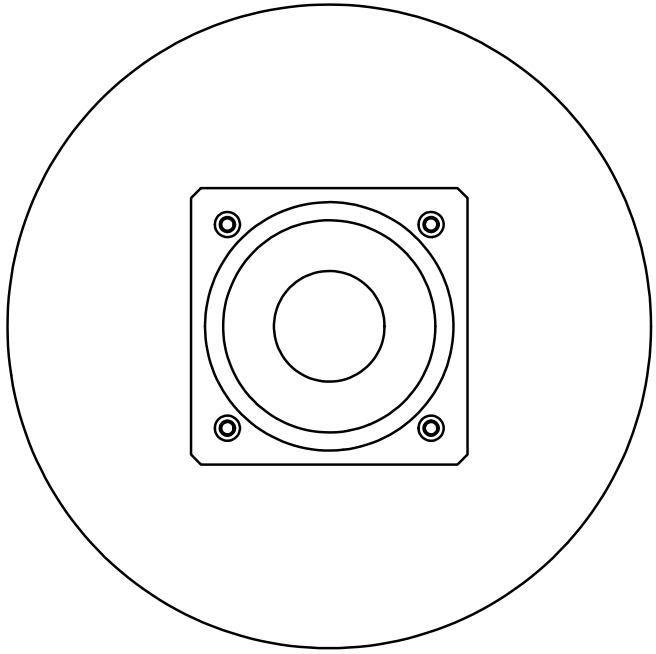
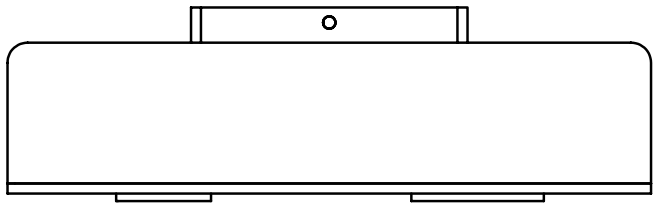
A

6 5 4 3 2 1

Designed by ebendek	Checked by	Approved by - date	Date 06/09/2004
Cold finger, Aluminium Drawing #: CCD_002		Camera	Edition Sheet 2 / 6

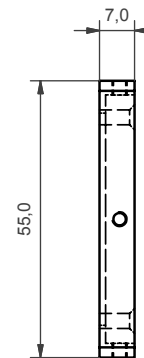
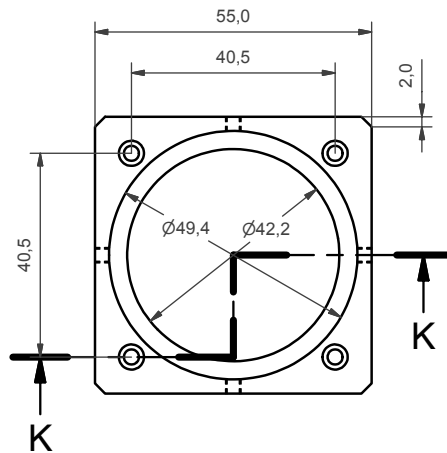
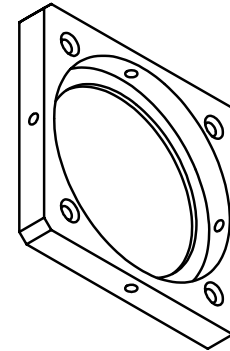
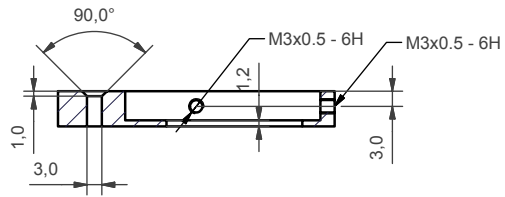


Designed by ebendek	Checked by	Approved by - date	Date 06/09/2004
Camera body, Aluminium Drawing #: CCD_004		(Black anodized)	
Camera		Edition	Sheet 4 / 6



Designed by ebendek	Checked by	Approved by - date	Date 06/09/2004
CCD_Camera assembly		Camera	Edition Sheet 5 / 6

K-K (1:1)



Designed by ebendek	Checked by	Approved by - date	Date 06/09/2004
Lens Holder		Material: Aluminium	
		Camera	Edition Sheet 6 / 6